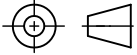


1  
THIRD ANGLE PROJECTION

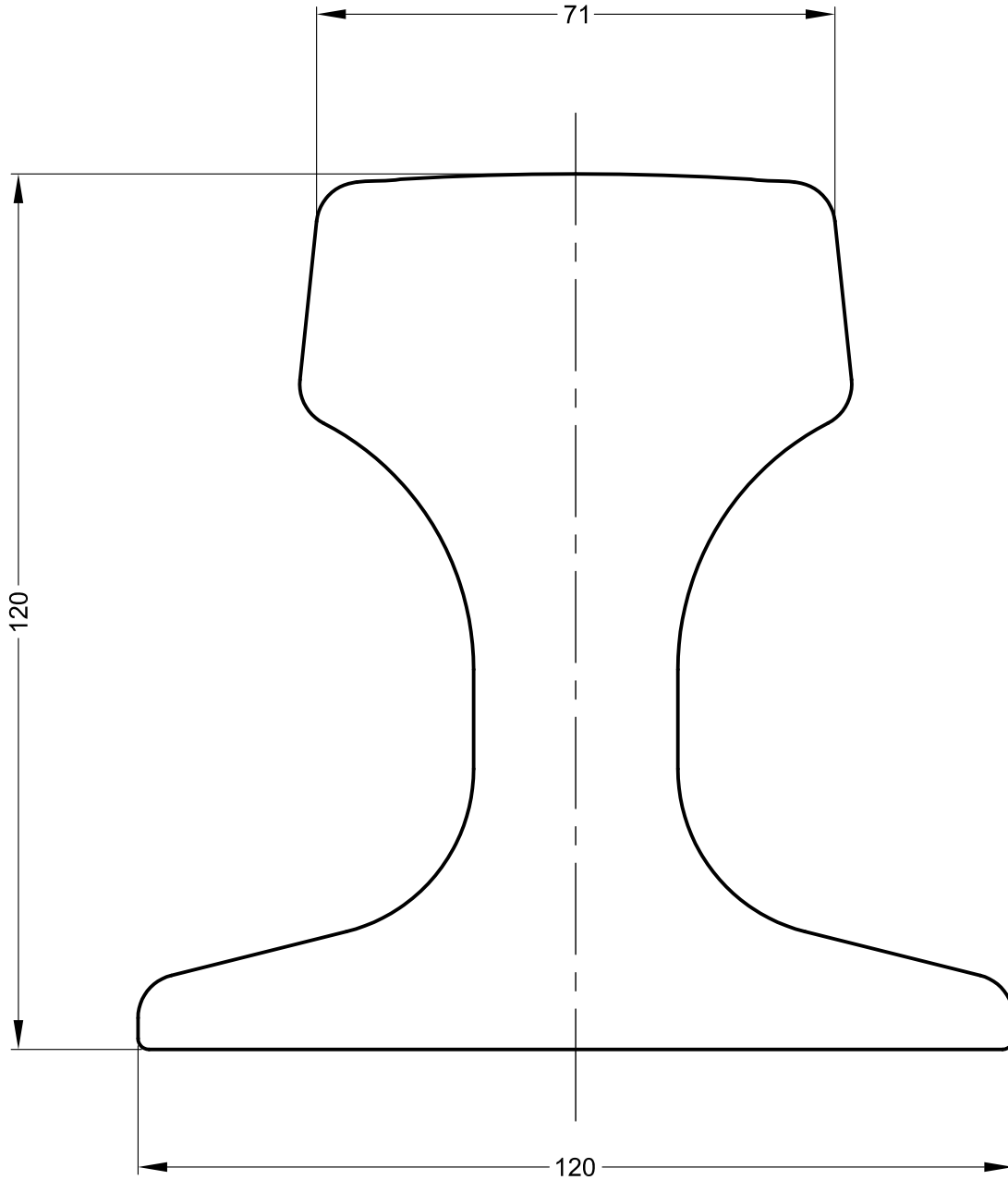


2  
FOR GUIDANCE ONLY  
THIS INFORMATION HAS BEEN  
PROVIDED IN GOOD FAITH BUT  
SPECIFICATIONS DO CHANGE

3  
Edition A

Date 05/11/02

4  
Scale 1:1 @ A4



1  
F  
**GANTRAIL**<sup>®</sup>

Rail Mounting Systems

THE TECHNICAL DATA CONTAINED IN THIS DRAWING IS THE PROPERTY  
OF GANTRY RAILING LIMITED AND IS SUBJECT TO COPYRIGHT ©

**Gantry Railing Limited**

SUDMEADOW ROAD, HEMPSTED  
GLOUCESTER GL2 5HG, ENGLAND  
Tel: (01452)300688 Fax (01452)300198  
International Dialling # 44.1452  
<http://www.gantry.co.uk>  
E-Mail: [info@gantry.co.uk](mailto:info@gantry.co.uk)

Rail Designation QU70

Rail Origin

Standard

Area of section 6717 mm<sup>2</sup>

Calculated Mass 52.8 kg/m

Neutral Axis to base 59.2 mm

Moment of Inertia I<sub>xx</sub> 1082 cm<sup>4</sup> I<sub>yy</sub> 319 cm<sup>4</sup>